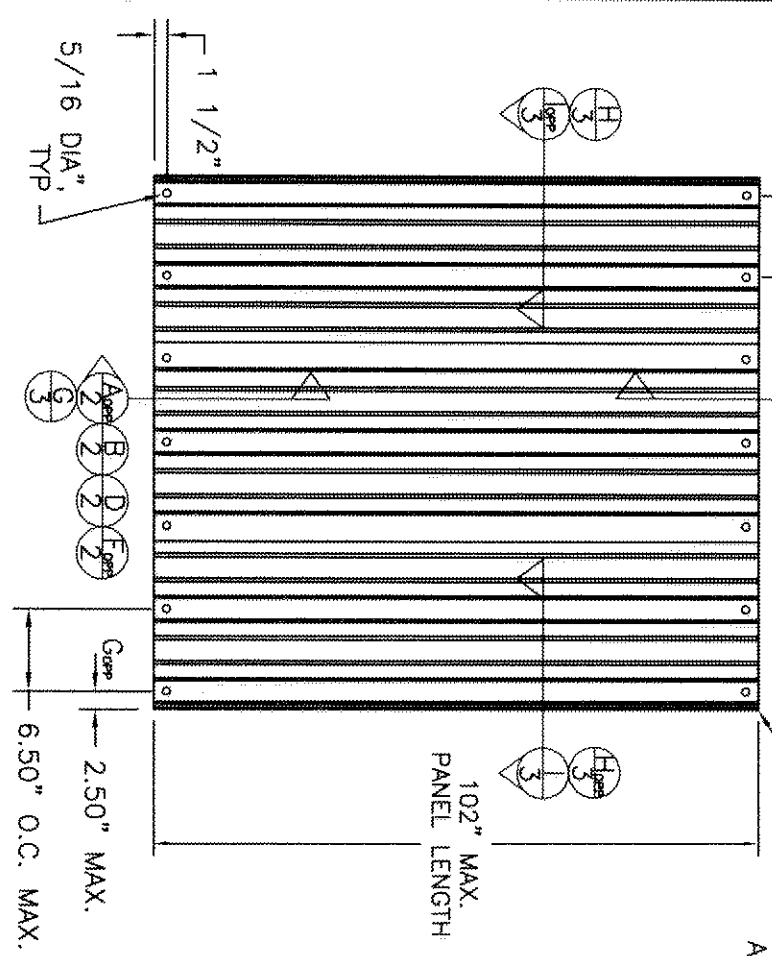


VARIABLES, SEE NOTE 8
6.50" O.C. MAX.

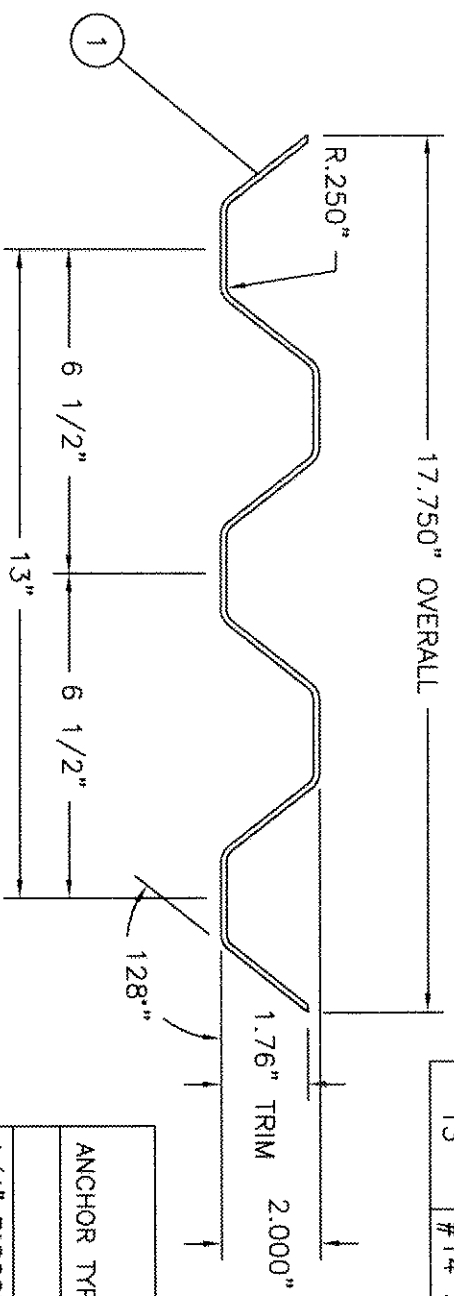


PANELS ONLY ARE SHOWN FOR CLARITY, FOR INSTALLATION ASSEMBLIES, SEE SECTIONS ON SHEETS 2, AND 3. TOTAL WIDTH MUST BE ACHIEVED WITH WHOLE PANELS. SEE NOTES ON SHEET 2 FOR ADDITIONAL REQUIREMENTS.

DESIGN PRESSURE (PSF)	MAX PANEL LENGTH (IN)	MAX CLEAR SPAN (IN)
±15.6	102"	94"



EXTERIOR ELEVATION
3MM CORRUGATED



CORRUGATED PANEL DETAIL

MATERIAL: LEXAN XL10 PER GE N.O.A. 03-1210.04

ITEM #	ITEM DESCRIPTION
1	3 MM (0.118") CORRUGATED PANEL 17-3/4" WIDE
2	1/4" DIA. ELCO PANEL MATE MALE FASTENER
3	1/4-20 S.S. WING NUT
4	1/4 X 1-1/4" X 1/8" RUBBER WASHER
5	1/4" TAPCON INSTALLATION ANCHOR
6	#10 WOOD SCREW INSTALLATION ANCHOR
7	1/4-20 SIDEWALK BOLT INTO POWERS CALK-IN
8	1/4-20 SS HEX HEAD BOLT INTO PANELMATE INSERT
9	ALUMINUM 2" X 3 3/8" h-HEADER
10	ALUMINUM 2" X 5" ANGLE
11	ALUMINUM 2" X 2" REVERSE F ANGLE
12	1/4-20 SS HEX HEAD BOLT
13	#14 SELF DRILLING SCREW

ANCHOR LAYOUT REQUIREMENTS

ANCHOR TYPE	MIN. EMBED. (IN)	MIN. EDGE DISTANCE (IN)	O.C. MAX SPACING (IN)
1/4" TAPCON	1 3/4"	2 1/2"	13"
CONCRETE SUBSTRATE			
HOLLOW BLOCK SUBSTRATE			
1/4" TAPCON	1 3/4"	2 1/2"	13"
1/4-20 PANELMATE	1 1/4"	3"	6 1/2"
1/4-20 POWERS CALK-IN W/ SS SIDEWALK BOLT	7/8"	3"	6 1/2"
1/4-20 PANELMATE INSERT W/ SS HEX HEAD BOLT *	1 1/4"	2"	13"
WOOD FRAME SUBSTRATE			
#10 WOOD SCREW	1 1/2"	3/4"	6 1/2"
1/4-20 PANELMATE	1 7/8"	3/4"	13"

* PANELMATE INSERT TO BE EMBEDDED FULL DEPTH PER MANUFACTURERS INSTRUCTIONS. 1/4-20 BOLT TO HAVE GIVEN EMBEDMENT INTO INSERT.

- GENERAL NOTES:
- THIS SHUTTER SYSTEM IS DESIGNED AND INSTALLED IN ACCORDANCE TO THE 2004 FLORIDA BUILDING CODE
 - GE POLYMER SHAPES CLEAR STORM PANELS SHALL BE MADE OF LEXAN XL10 POLYCARBONATE SHEET.
 - ALL METAL BOLTS AND WASHERS SHALL BE GALVANIZED OR STAINLESS STEEL WITH A MINIMUM TENSILE STRENGTH OF 60 K.S.I..
 - TOP AND BOTTOM DETAILS SHOWN MAY BE INTERCHANGED AS FIELD CONDITIONS DICTATE, PANELS MAY BE MOUNTED HORIZONTALLY WHERE APPLICABLE.
 - PANELS SHALL BE FASTENED ACCORDING TO FASTENER MANUFACTURER'S INSTALLATION SPECIFICATIONS AND AS SHOWN HEREIN.
 - EMBEDMENT IS THE DEPTH INTO CONCRETE MASONRY UNIT (CMU), CONCRETE OR WOOD FRAMING MEMBER AS NOTED AND DOES NOT INCLUDE STUCCO OR OTHER FINISHES.
 - MINIMUM SEPARATION OF PANEL TO GLAZING SHALL BE 6 1/2" OR STRUCTURE SHALL BE DESIGNED AS AN OPEN STRUCTURE WITH NO SEPARATION REQUIREMENTS.
 - NO LIMITATIONS OF WIDTH ARE PRESENT FOR THE MAXIMUM PANEL LENGTH OF 102". THE TOTAL WIDTH MUST BE ACHIEVED WITH WHOLE PANELS. PANELS SHALL OVERLAP EACH OTHER SO THAT THERE ARE TWO PANELS SECURED WITH ANCHORS AT EVERY OTHER HOLE IN THE PANELS.

REVISION	DATE	BY
A	11/20/08	ESH
STM		

Eric S. Nielsen
Florida P. E. No. 41323
PTC, LLC
1535 Cogswell Street, Suite C25
Rookledge, Florida 32955
Fibre Certificate of Authorization NO. 25935

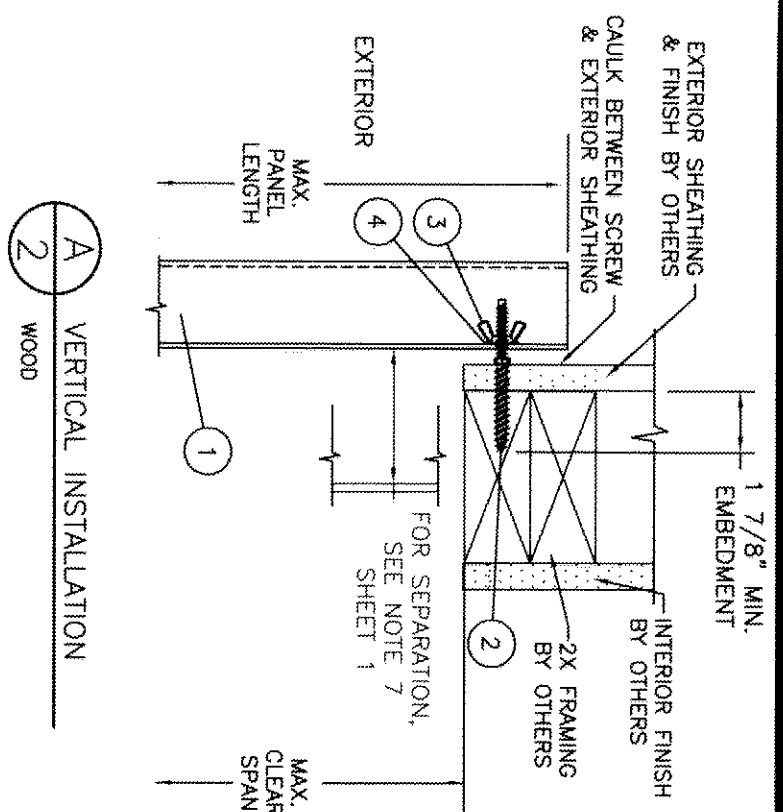
11/20/08

GE POLYMER SHAPES
TAMPA, FLORIDA

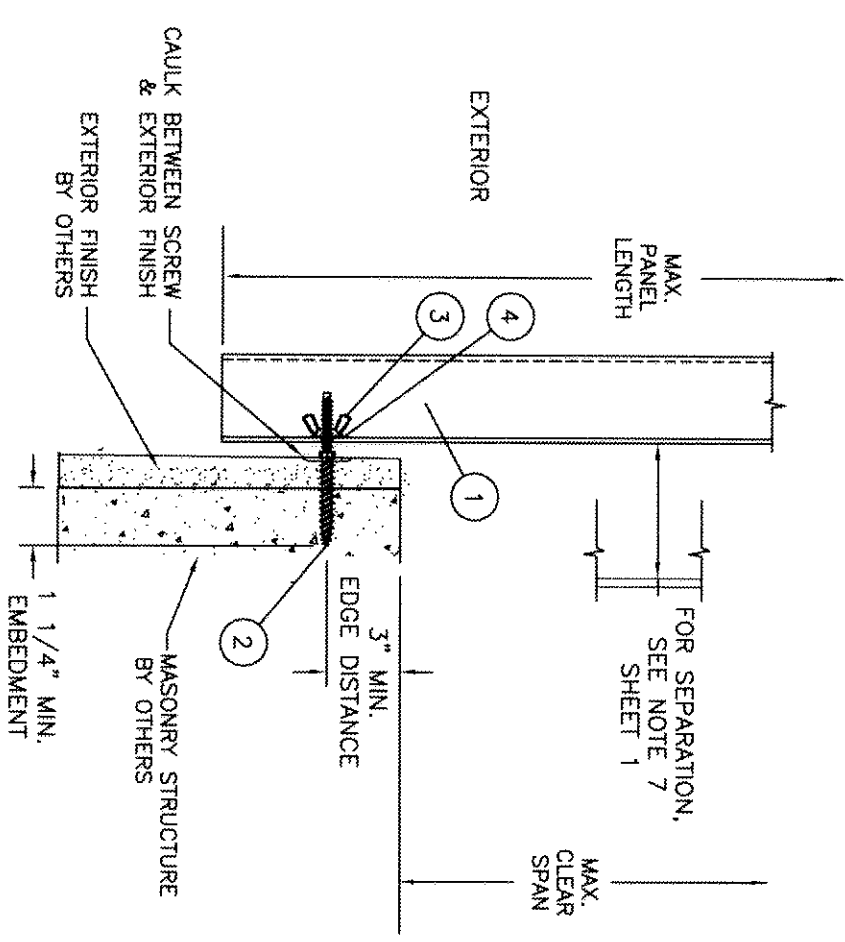
3MM POLYCARBONATE STORM PANELS
ELEVATION & PANEL DETAILS

PREPARED BY: BB
SCALE: N.T.S.
DATE: 11/13/06
DWG. NO: CEAO005
SHEET: 1 OF 3

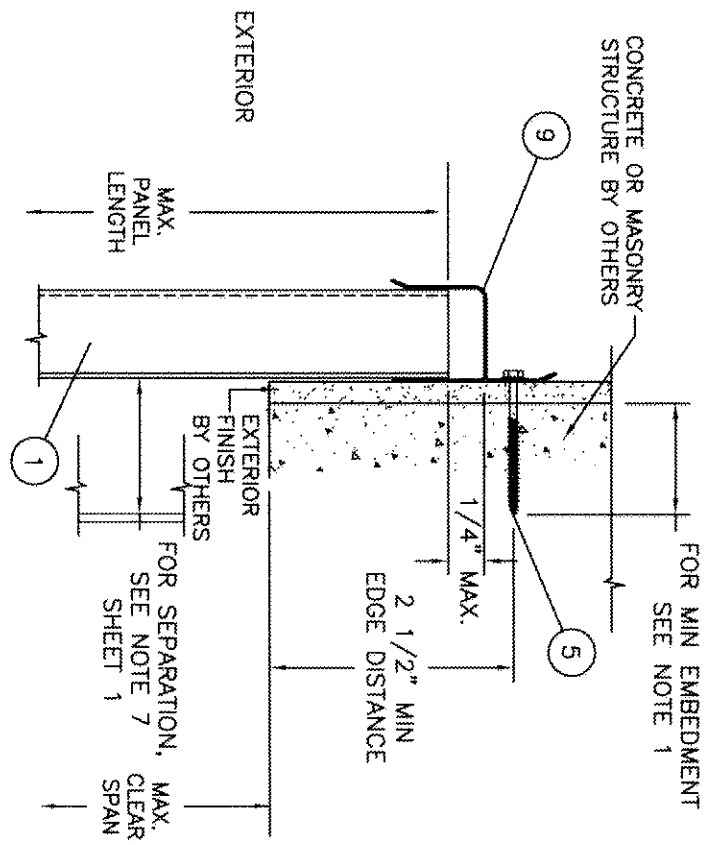
PTC, LLC
Phone 321.690.1788 Fax 321.690.1789



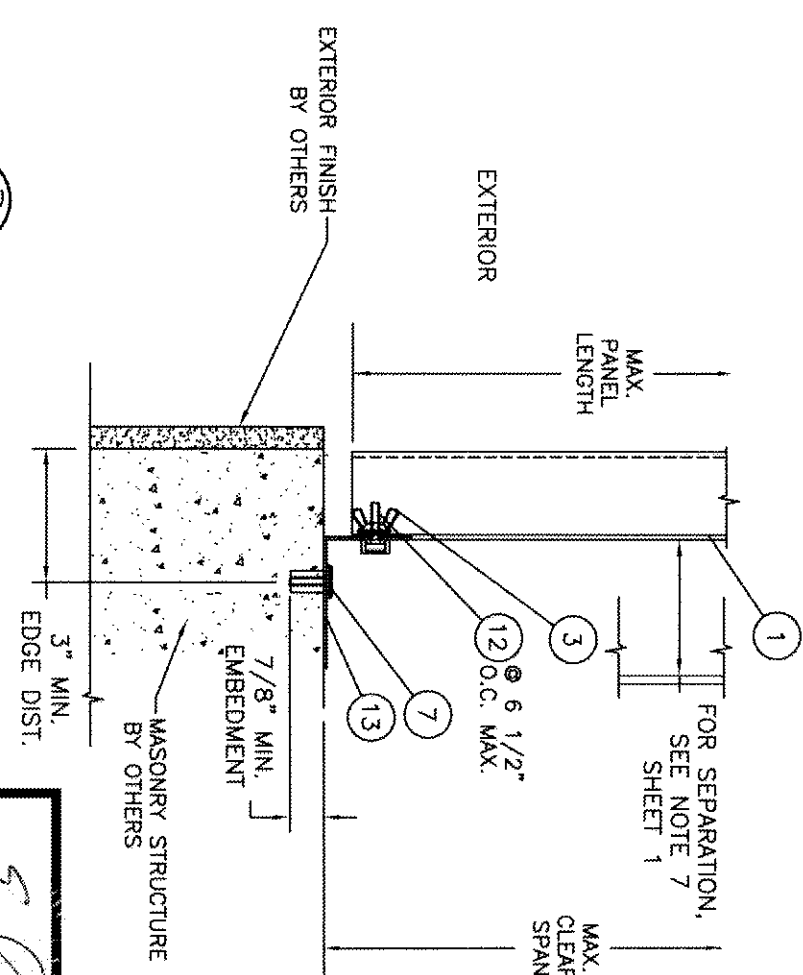
A
2 VERTICAL INSTALLATION
WOOD



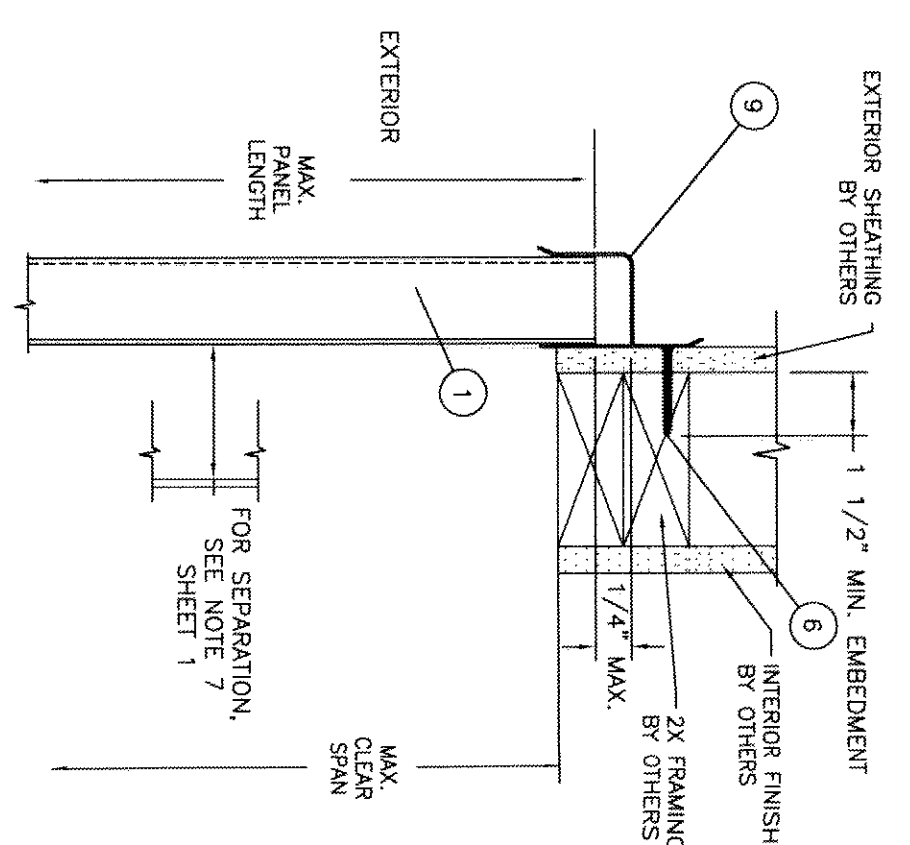
B
2 VERTICAL INSTALLATION
MASONRY



C
2 VERTICAL INSTALLATION
MASONRY



D
2 VERTICAL INSTALLATION
MASONRY



E
2 VERTICAL INSTALLATION
WOOD

NOTES

1. 1/4" TAPCON SHALL PROVIDE A MINIMUM EMBEDMENT OF 1 1/4" IN HOLLOW BLOCK SUBSTRATE AND 1 3/4" IN CONCRETE.
2. PANELS SHALL OVERLAP WITH EVERY OTHER HOLE HAVING TWO PANELS BEING ATTACHED AT THAT COMMON HOLE.
3. WOOD SUBSTRATE SHALL HAVE A SPECIFIC GRAVITY GREATER THAN OR EQUAL TO 0.50.
4. CONCRETE SUBSTRATE SHALL HAVE A MINIMUM COMPRESSIVE STRENGTH OF 3330 PSI.

REVISION	DATE	BY
A	11/20/06	ESM
SYM		

Eric S. Nielsen
P.E. No. 41323
PTC, LLC
1535 Cogswell Street, Suite C25
Rockledge, Florida 32955
FBRP Certificate of Authorization NO. 25935

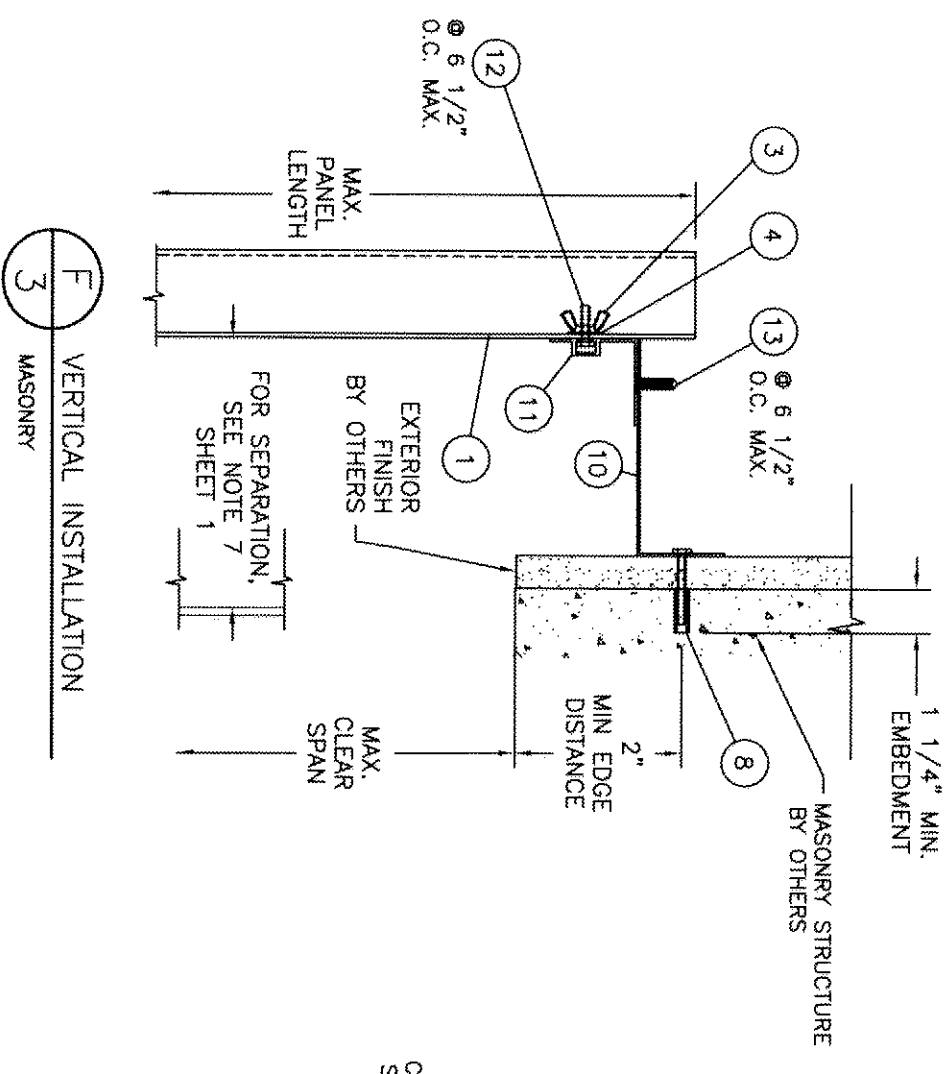
GE POLYMERSHAPES
TAMPA, FLORIDA

3MM POLYCARBONATE STORM PANELS
VERTICAL INSTALLATION SECTIONS

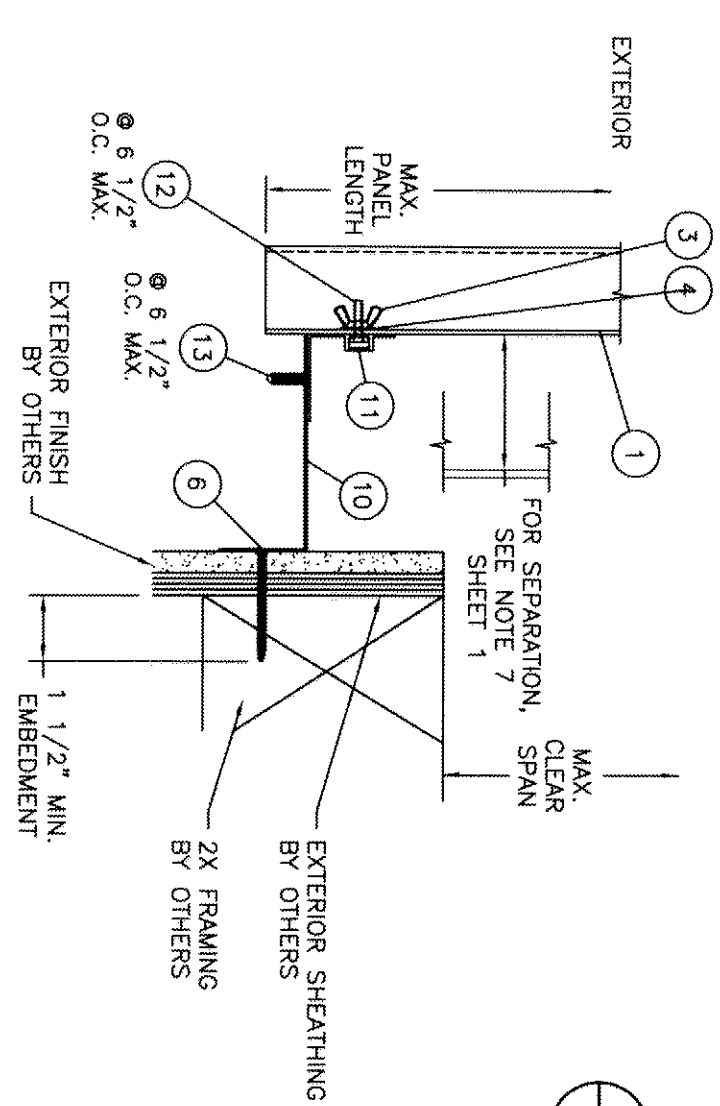
PREPARED BY: **PTC, LLC**

DRN: BB DATE: 11/13/06
SCALE: N.T.S. DWG. NO: GEAA0005
REV: A SHEET: 2 OF 3

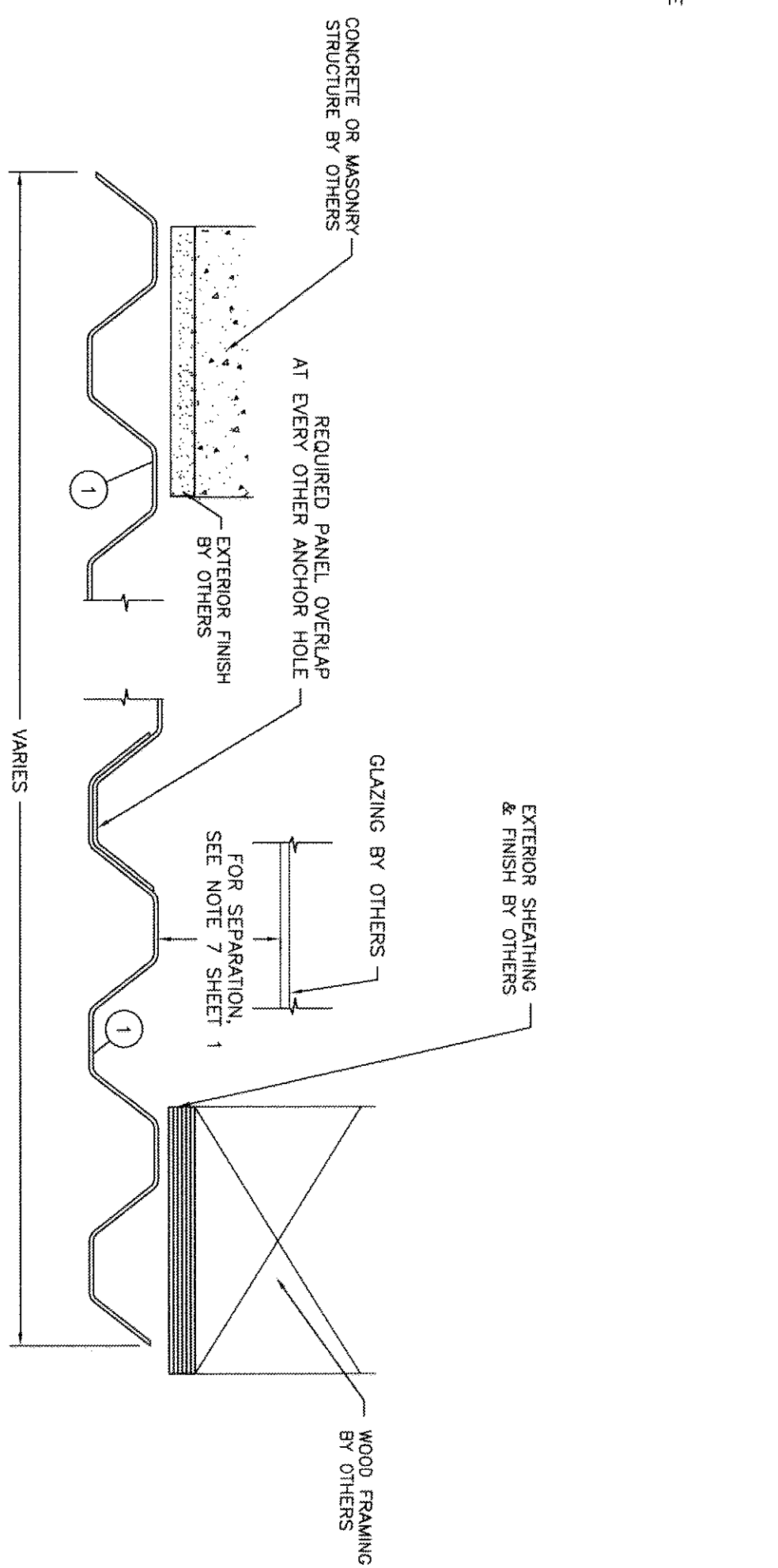
Phone 321.690.1788 Fax 321.690.1789



F
3
VERTICAL INSTALLATION
MASONRY



G
3
VERTICAL INSTALLATION
WOOD



H
3
HORIZONTAL INSTALLATION
MASONRY

I
3
HORIZONTAL INSTALLATION
WOOD

SYMBOL	REVISION	DATE	BY
A	UPDATED NOTES & DETAILS	11/28/08	ESM
SYM			

ESM
11/28/08
Eric S. Nielsen
Florida P. E. No. 41323
PTC, LLC
1535 Cogswell Street, Suite C25
Rockledge, Florida 32955
FBPE Certificate of Authorization NO. 25935

GE POLYMERSHAPES
TAMPA, FLORIDA

3MM POLYCARBONATE STORM PANELS
VERTICAL & HORIZONTAL INSTALLATION SECTIONS

PREPARED BY: **PTC, LLC**

DRN: BB
SCALE: N.T.S.
DATE: 11/13/06
DWG. NO.: GEAD0005
SHEET: 3 OF 3

Phone 321.890.1788 Fax 321.890.1789